



Powered By Early Response™ Software

- Smoke Detector
- Bed Call
- Bath Call
- Door Access
- Pendant
- Motion Detection
- Panic Button
- Locator
- High Power Repeater

Powerful, Wireless Technology for Assisted Care Facilities, Retirement Communities, and Hospitals

ReZcare is a wireless nurse call system utilizing a full compliment of wireless devices and integrating with many existing systems. It is powered by Early Response software and offers nursing homes, assisted living, and retirement communities a powerful and affordable approach to integrating community-wide safety and security systems with their nurse call system.



Complete Safety and Security System



ReZcare is a comprehensive communication system with unlimited capabilities for call for aid, activity monitoring, notification, and reporting.

Toll Free 1-877-969-6976



Generates Reports for Analyzing Responses

ReZcare system generates reports for analyzing source of calls for aid and for the response time.

Store Patient/Resident Records

ReZcare's system is capable of maintaining patient and resident records, including photographs, medical information, family contact information, and physician information. All patient information is password protected and secure.



Integrates with Existing Systems

the ReZcare Wireless Nurse Call System also integrates with many existing systems. The system provides enhanced notification and reporting such as:

- Addressable fire alarm panels
- Intrusion alarm systems
- HVAC alarms and events
- Intercoms
- Telephone Systems
- Access control systems

ReZcare Wireless Powered by EchoStream

Advanced EchoStream wireless technology insures the delivery of all “call for help” alarms and that every wireless device is monitored for operational function and low battery. All EchoStream wireless components are continuously supervised and staff is notified immediately if a problem is detected.

EchoStream technology is the next generation in commercial grade wireless from industry leader, Inovonics Wireless. Inovonics has over 20 years of experience applying frequency hopping, spread spectrum, 900 mhz technology to create a premier wireless platform.

- ▶ Answer Calls for Help
- ▶ Alarm Alerts
- ▶ Monitor Activities
- ▶ Notification
- ▶ Monitor Wireless Devices
- ▶ Schedule Tasks
- ▶ Schedule Announcements
- ▶ Monitor Device Functionality
- ▶ Generates Reports

Toll Free 1-877-969-6976



Features

Wireless and Hardwire Input

ReZcare works as a stand-alone system with wireless freedom or with many existing systems such as fire panels, wander prevention systems, mobile pendants, and security systems.

Notifications and Communications

Instantly distributes alarm messages to wireless radio, pocket pagers, wireless phones email, central station, and more.

Acknowledgement code provides staff accountability for emergency calls.

Software manages all events until resolved and generates activity reports.

Files can be set for individual, location, event, priority and responder.

Remote location display boards provide instant alarm messages.

Record Keeping

Software has complete patient record keeping capabilities with secure password protection. Reports may be viewed by resident, patient, date, and event.

Data Backup

System features scheduled data backup

System Monitoring

System monitors wireless devices for operation and battery level.
Provides notification to staff if an issue occurs.

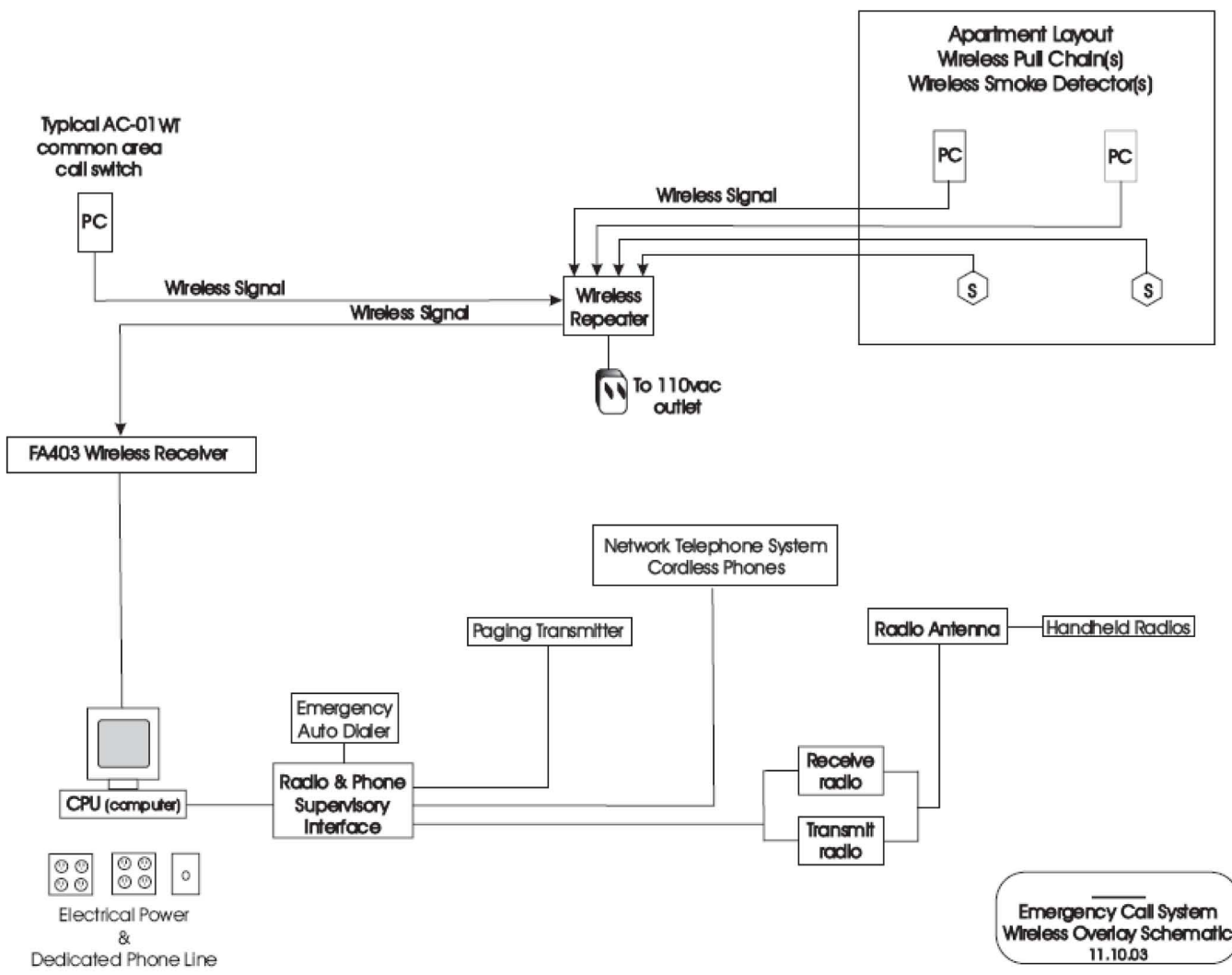
User-Friendly

System is designed for unskilled users and guides the them through the functions.



Toll Free 1-877-969-6976





Emergency Call System
Wireless Overlay Schematic
11.10.03

Toll Free 1-877-969-6976





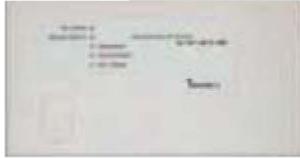
**Staff Radio
RZ-RPU300/3600**



**Staff Pocket Pager
RZ-929**



**Dual Bedside Station
RZ-BDCS-UL**



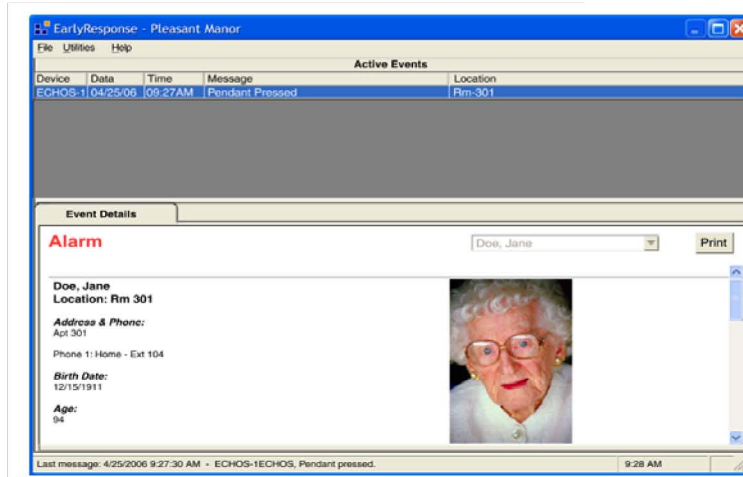
**Network Controller
RZ-EN6040**



**Bathroom Call Station
RZ-BTCS-UL**



**PIR Motion Sensors
RZ-ES1260**



Alarm Screen Display



**Pendant
RZ-1235S**



**Smoke Detector
RZ-ES1242**

Toll Free 1-877-969-6976

